

SafeLine Enclosed Disconnect switches



SafeLine

Compact, heavy duty
Enclosed disconnect switches
16A – 200A Non-fusible
30A – 200A Fusible



SafeLine enclosed disconnect switches are designed to meet customer requirements in terms of safety, ease of installation, space savings and operational convenience. They are available in a wide range of amperage ratings, are UL approved and NEMA rated to satisfy rugged industrial environments.

- Suitable for use as:**
- OSHA Lockout/Tagout disconnects
 - Safety switches
 - Load break switches
 - Isolators

General information Non-fusible

NF 16 1 - 3P BJ A 11

Disconnect switch type

- NF = Non-fusible
- FC = UL Fused Class CC, (30A)
- FJ = UL Fused Class J, (30A – 200A)

Disconnect switch frame size

Non-Fusible switches

16	25	30	32	45	60
63	100	125	200		

Fusible switches

30	60	100	200
----	----	-----	-----

Environmental rating ③

- 1 = NEMA/UL Type 1
- 2 = NEMA/UL Type 12
- 3 = NEMA/UL Type 3R
- 4 = NEMA/UL Type 4

Accessories

- 10 = 1 N.O. auxiliary contact
- 01 = 1 N.C. auxiliary contact
- 11 = 1 N.O. & 1 N.C. auxiliary contacts
- 22 = 2 N.O. & 2 N.C. auxiliary contacts
- N = Neutral terminal
- G = Ground terminal, isolated ①
- U = Service entrance, 3-wire ②
- V = Service entrance, 4-wire

Series

Handle type

the appropriate handle is provided for each enclosure in accordance with the application.

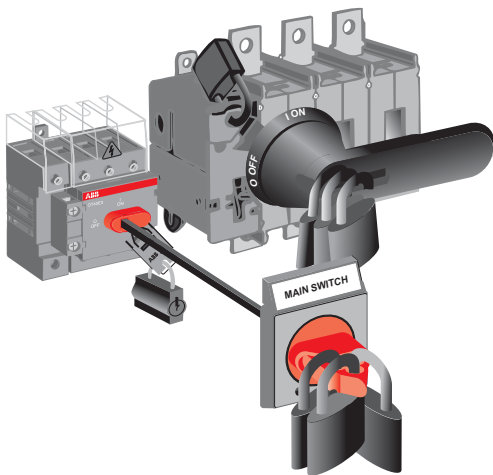
- B_ = black
- Y_ = Red/Yel

Poles or conversion mechanisms

- 3P = 3 poles
- 6P = 6 poles
- 3T = 3 pole transfer
- 3B = 3 pole by-pass

OSHA

Suitable for use as OSHA Lockout/tagout disconnect when applied in accordance with part IV, Department of Labor Occupational Safety and Health Administrations, 29 CFR Part 1910, Control of Hazardous Energy Source (Lockout/Tagout): Final Rule.



Handle and mechanism padlocked OFF

Padlockable

Handles can be padlocked in the "OFF" position with up to three padlocks: Additionally, the switch mechanism can be directly padlocked in the "OFF" position when the door is open. NOTE: Some handles can be ordered with the ability to padlock in both the "ON" & "OFF" positions, please consult your ABB sales office. When the handle is padlocked, the enclosure cannot be opened.

① All enclosed switches are provided with a ground lug. See page 3.9.

② Only for UL 98 switches

③ Consult factory for other types of enclosures.

General information Non-Fusible and Fusible

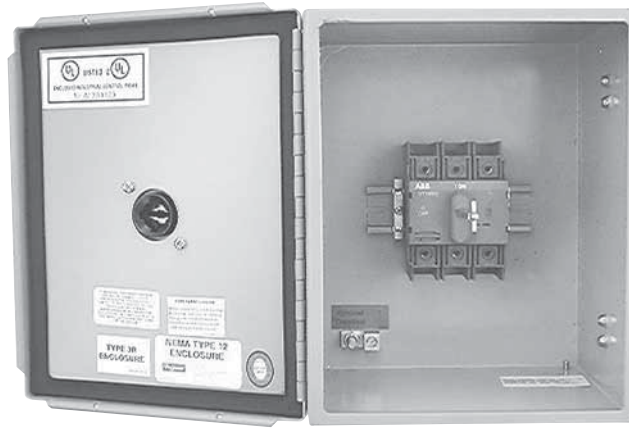
Disconnect
switches
Non-fusible
Enclosed

Non-Fusible

UL Listed to UL 508 and UL 98.
CSA approved
IEC rated
CE marked

Snap on accessories include additional poles, auxiliary contacts, etc.

Enclosures available in NEMA 1, 3R, 12 & 4 environmental categories ①



Modern appearance

Quick make, quick brake mechanism

Heavy duty disconnect, 600VAC

Extremely compact size

Finger-proof construction. No hazardous exposed parts

3/6 pole constructions; transfer switches and by-pass switches available

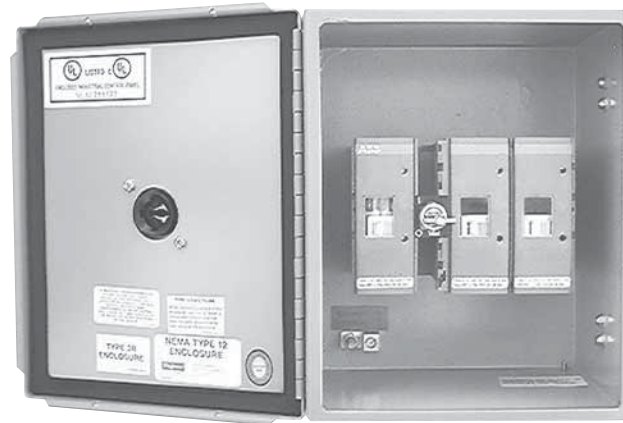
Fusible

UL Listed to UL 98 standards.
CSA approved
IEC rated
CE marked

Snap on accessories include fuse monitors, auxiliary contacts, etc.

Enclosures available in NEMA 1, 3R, 12 & 4 environmental categories ①

Fuse carriers available for US standards, BS, DIN, NFC standard and for various high speed fuse patterns



Modern appearance

Quick make, quick brake mechanism

Heavy duty disconnect, 600VAC, 200kA, I_{sc}

Extreme compact size as fuse carriers are decked above contacts

Double contacts enabling feed from any direction and preventing back feed

Finger-proof construction. No hazardous exposed parts

3/6 pole constructions; transfer switches and by-pass switches available

Lockable

Clear position indications:
I-ON
O-OFF

Door interlocked when handle padlocked to OFF position

Handle padlockable with up to three padlocks



Door interlocked when handle is in ON position. Door interlock can be defeated by authorized personnel.

Pilot devices can be added

① All enclosed switches are provided with a ground lug. See page 5.8.